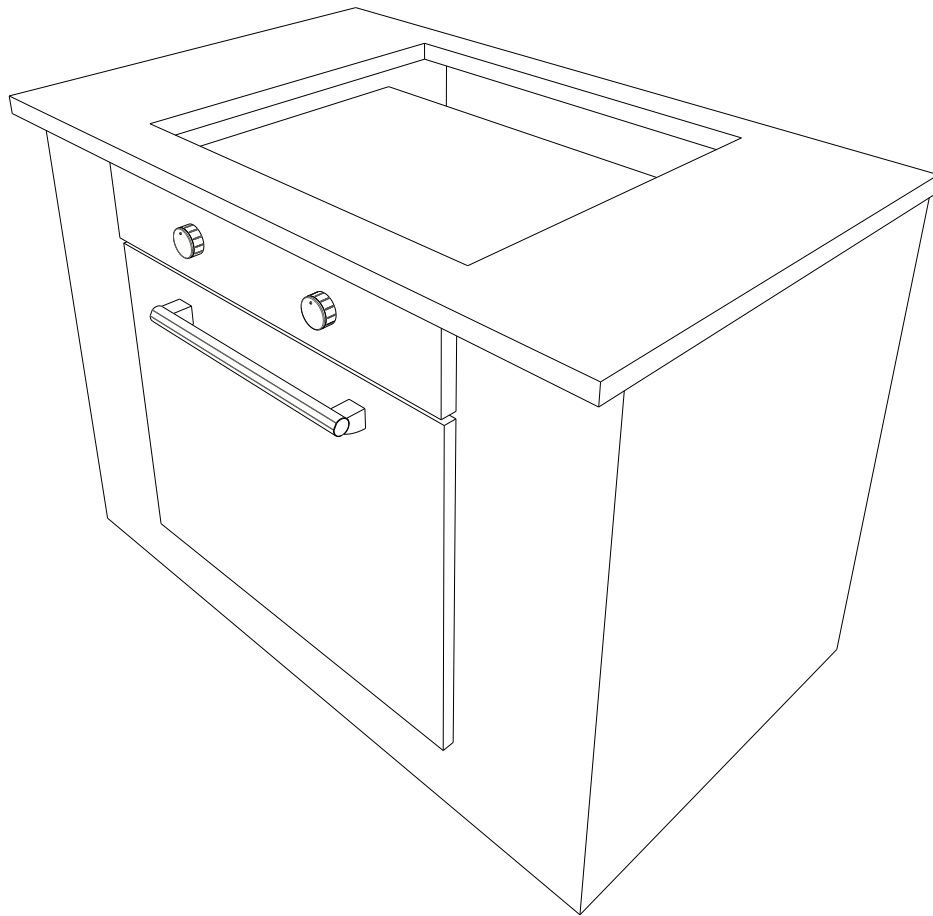
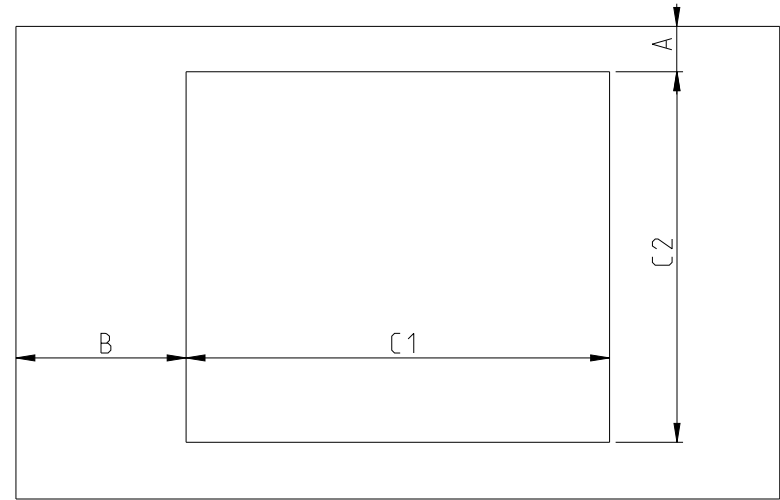
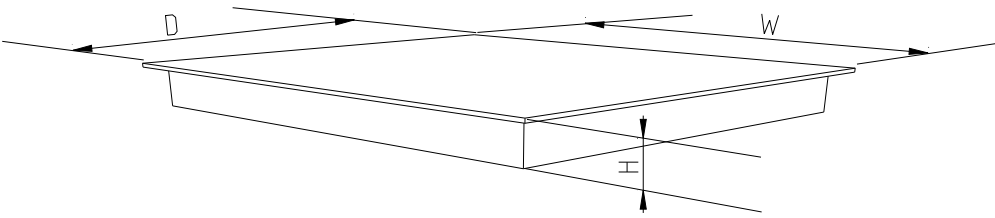
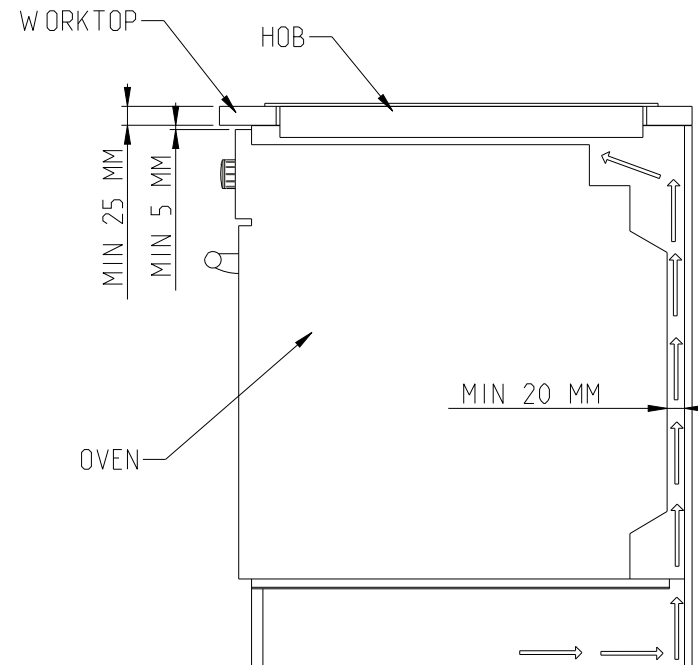


PRODUCT DIMENSIONS	W (MM)	D (MM)	H (MM)
	590	520	41

CUTOUT DIMENSIONS	C1 (MM)	C2 (MM)
	560	490

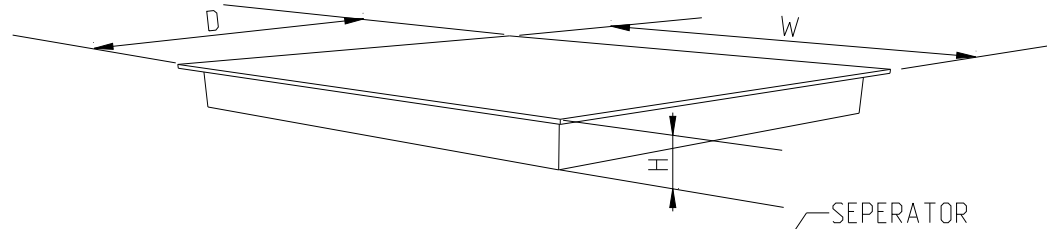


NEIGHBOURHOOD WALLS	MIN A (MM)	MIN B (MM)
	50	50

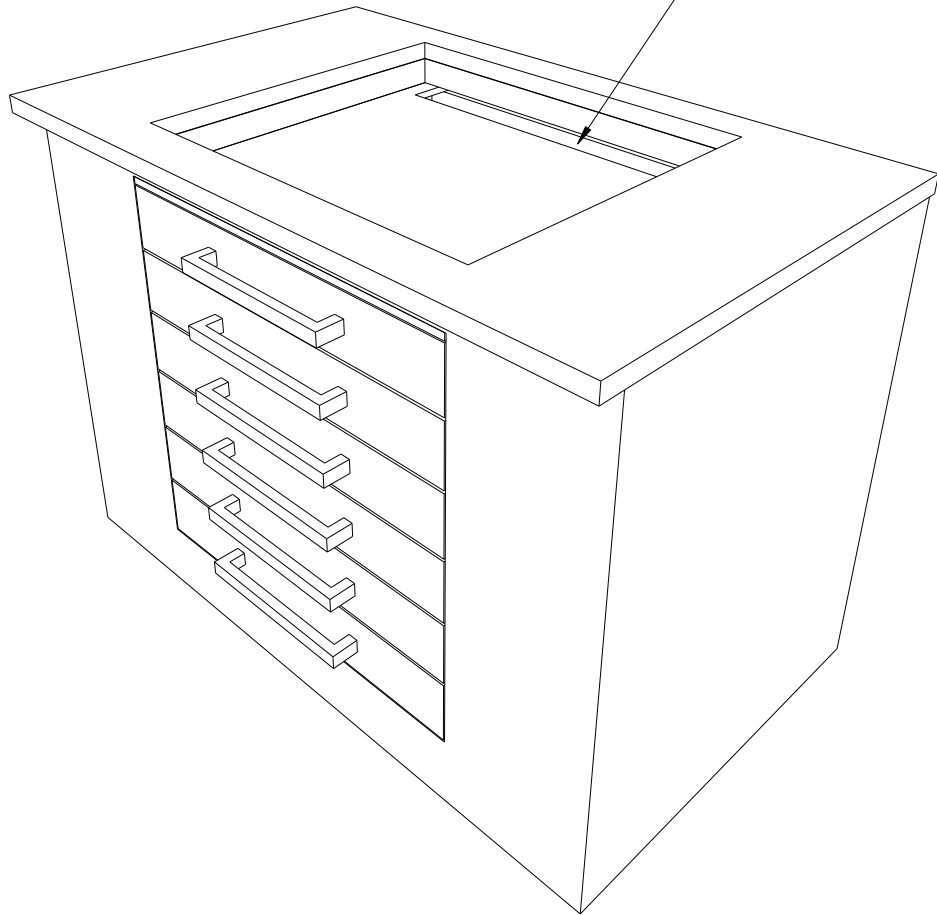
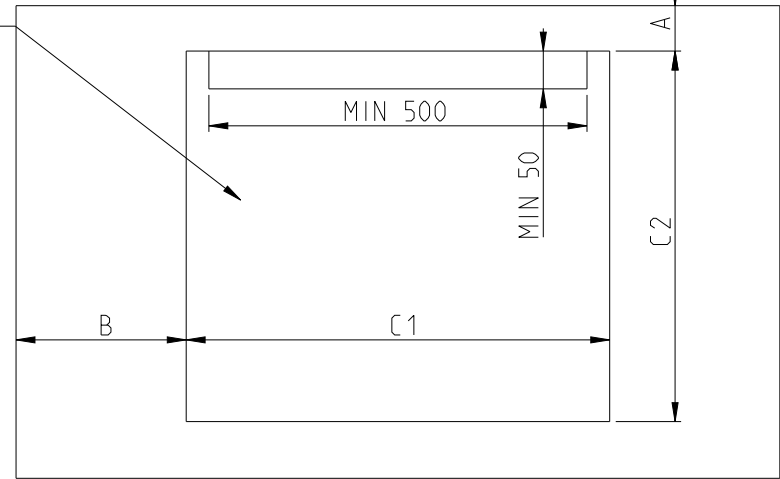


PRODUCT DIMENSIONS	W (MM)	D (MM)	H (MM)
	590	520	41

CUTOUT DIMENSIONS	C1 (MM)	C2 (MM)
	560	490



SEPERATOR



NEIGHBOURHOOD WALLS	MIN A (MM)	MIN B (MM)
	50	50

